

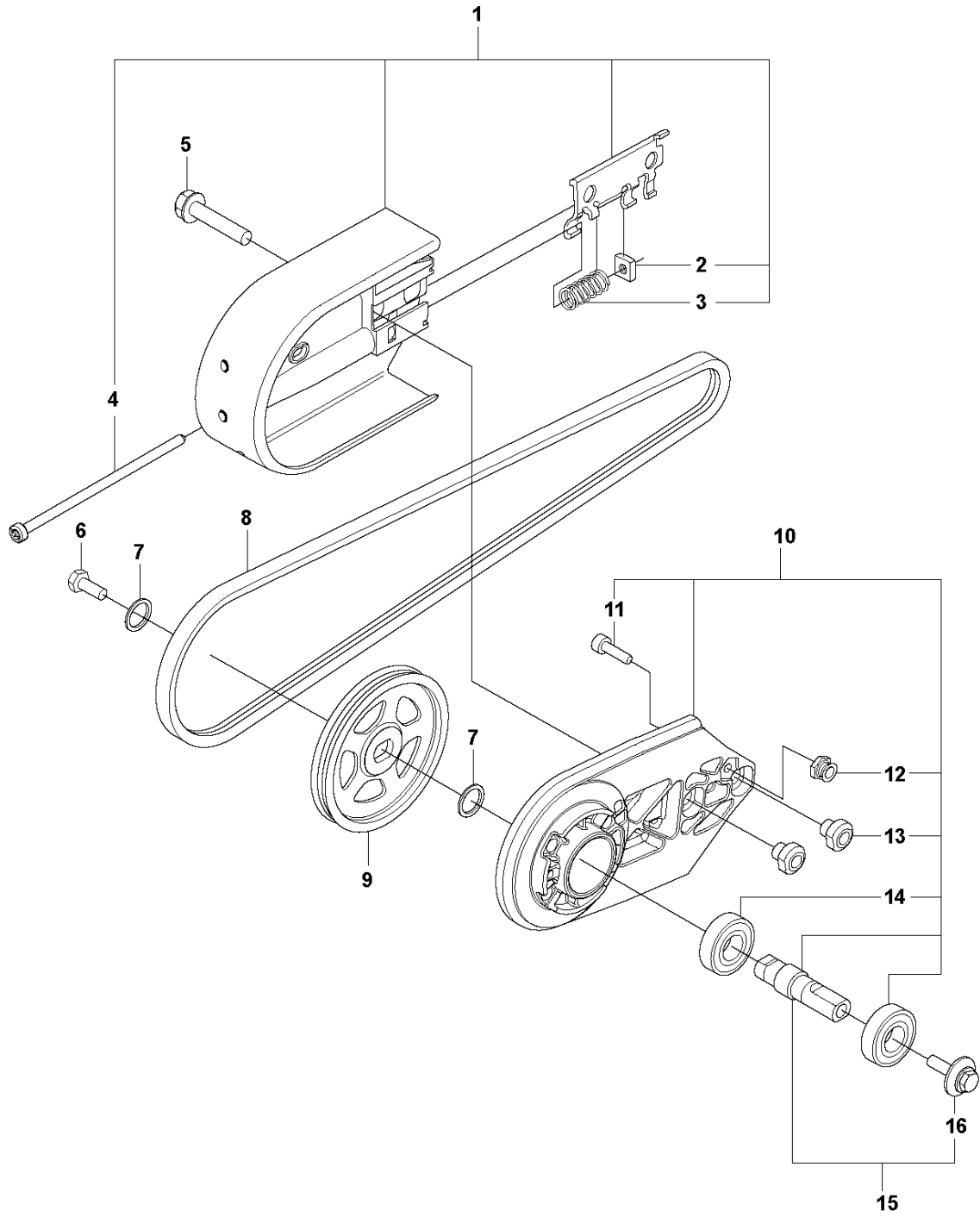


SPARE PARTS LIST

POWER CUTTERS

K1270 II / K1270 II RAIL, 2019-12

A K1270 II / K1270 II RAIL
BELT GUARD & PULLEY

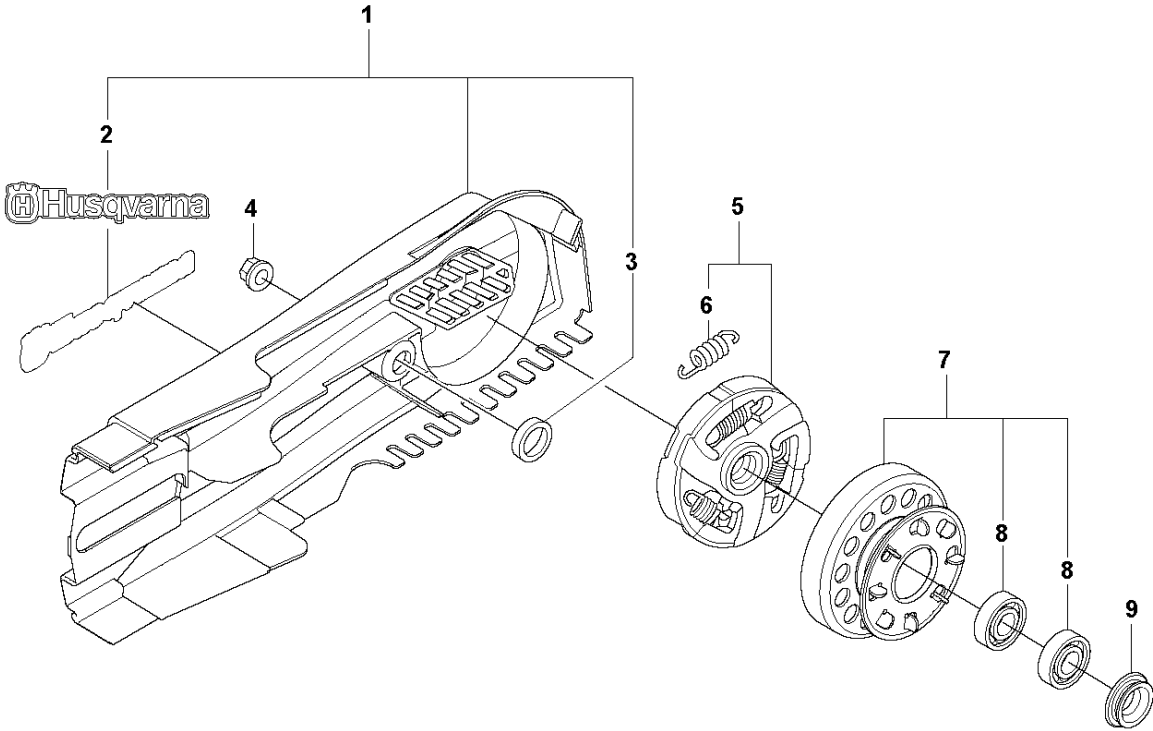


BELT GUARD & PULLEY

K1270 II / K1270 II RAIL, 2019-12

Ref	Part No	Description	Remark	QTY KIT	
1					
1					
1	60199	506 27 92-08 BELT GUARD	Rail 16"	1	
2	60221	506 40 93-01 NUT		1	1
3	60190	506 26 68-01 COMPRESSION SPRING		1	1
4	60134	503 20 72-05 SCREW CITXSCM		1	1
5	60200	506 28 44-01 SCREW EHHFM		2	
6	60132	503 20 00-45 SCREW EHHFM		1	
7	60155	503 23 01-04 WASHER		2	
8					
8	60253	544 97 63-02 BELT	Rail 16"	1	
9	60254	578 11 05-01 PULLEY		1	
10	60295	589 39 03-03 BEARING HOUSING		1	
11	60172	505 57 41-16 SCREW ITXSCM		1	10
12					10
13					10
14	60271	583 95 33-01 BALL BEARING		2	10
15	60290	588 99 24-03 SHAFT		1	
16	60296	590 50 38-01 SCREW		1	15

C K1270 II / K1270 II RAIL
BELT GUARD

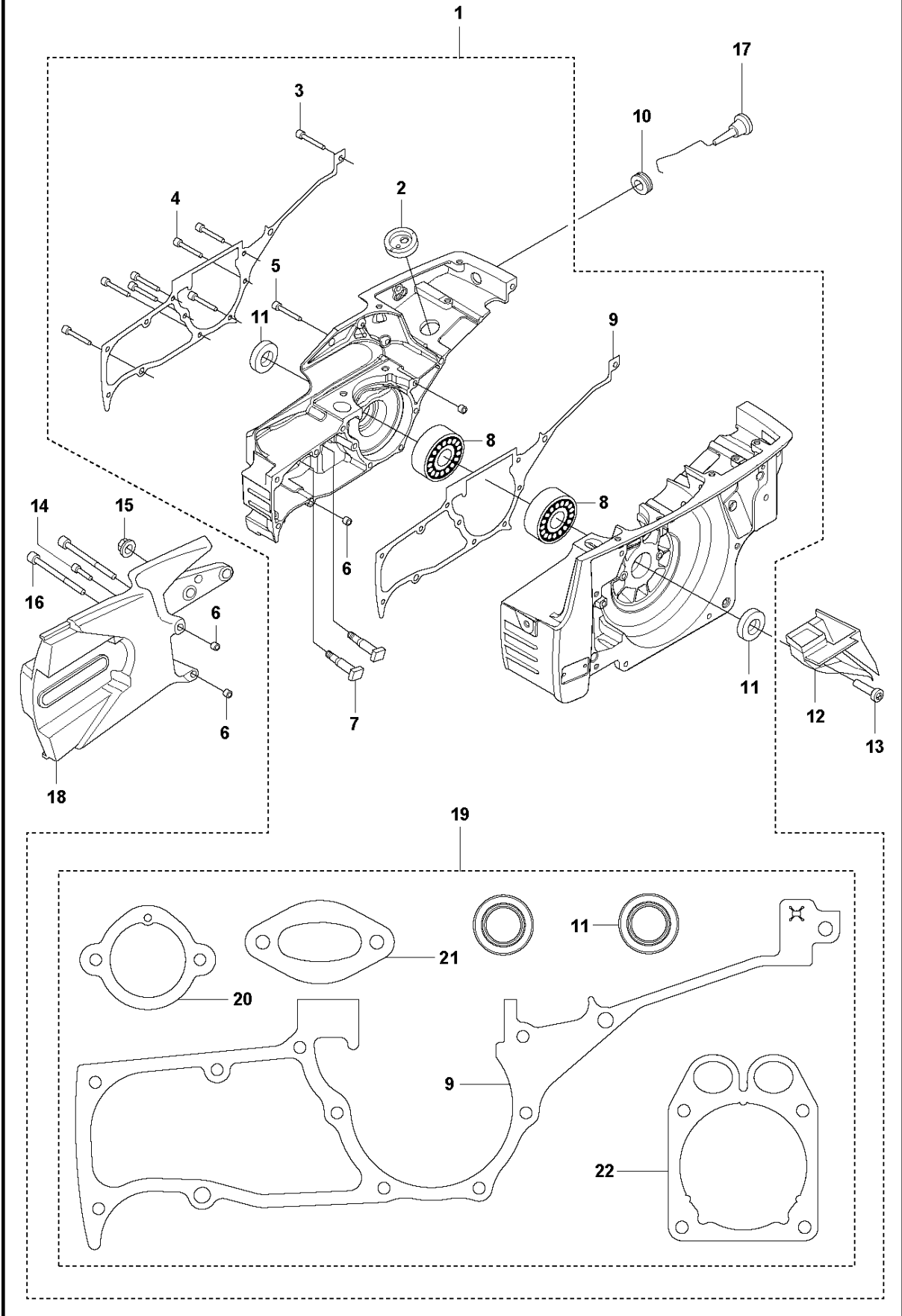


BELT GUARD

K1270 II / K1270 II RAIL, 2019-12

Ref	Part No	Description	Remark	QTY	KIT
1	60194	506 27 17-04 BELT GUARD		1	
2				1	1
3				1	1
4	60150	503 22 00-01 HEXAGON NUT		1	
5	60129	503 14 49-01 CLUTCH ASSY		1	
6	60130	503 14 51-01 CLUTCH SPRING		3	5
7				1	
7	60287	588 80 92-02 DRIVING PULLEY ASSY	16"	1	
8				2	7
9	60279	587 53 64-01 SPACING SLEEVE		1	

D K1270 II / K1270 II RAIL
CRANKCASE

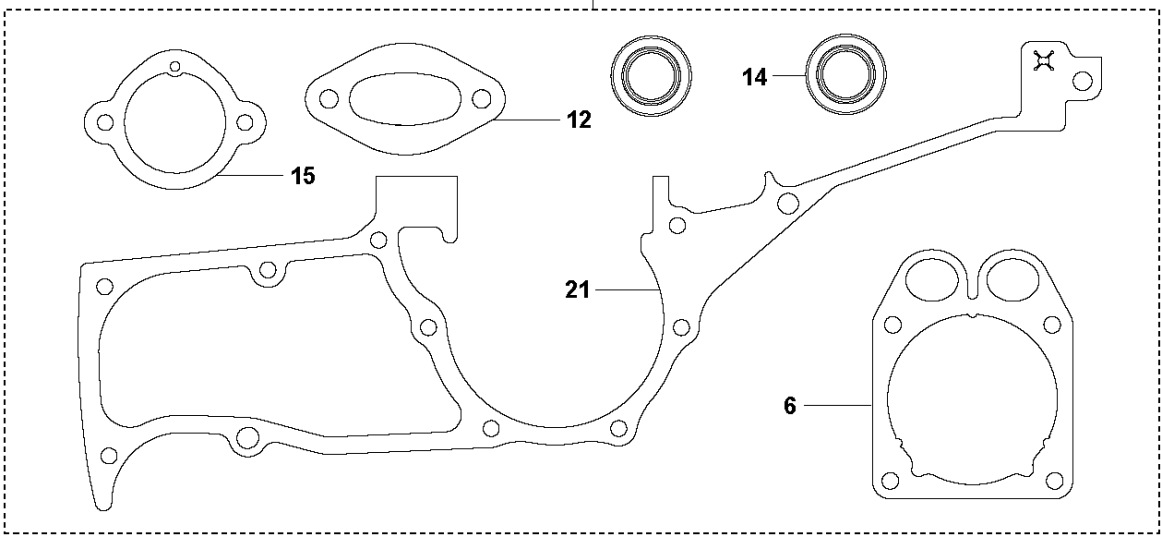
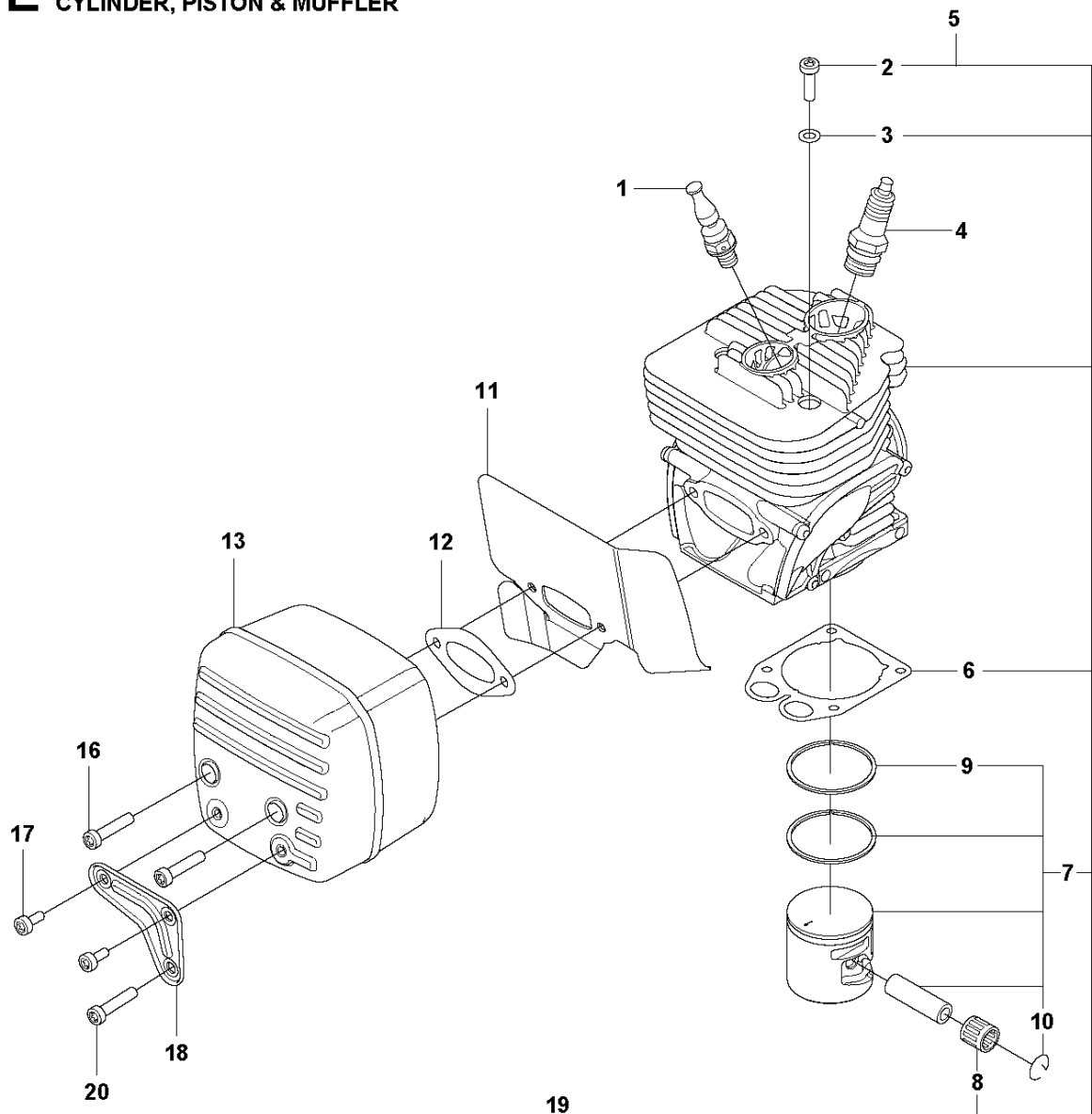


CRANKCASE

K1270 II / K1270 II RAIL, 2019-12

Ref	Part No	Description	Remark	QTY KIT	
1				1	
2				1	1
3	60141	503 21 53-20	SCREW ITXSCM	1	1
4				7	1
5	60250	544 21 84-20	SCREW ITXSCM	9	1
6				1	1
7				4	1
8				2	1
9				2	1, 19
10	60131	503 14 54-02	GROMMET	1	
11				1	1, 19
12	60178	506 23 70-01	AIR NOZZLE	2	
13				1	
14	60142	503 21 53-21	SCREW ITXSCM	1	
15	60150	503 22 00-01	HEXAGON NUT	1	
16	60147	503 21 53-65	SCREW ITXSCM	1	
17	60182	506 25 43-02	CHOKE CONTROL	2	
18	60179	506 24 14-04	CUTTER ARM	1	
19	60268	582 45 48-01	GASKET KIT	1	1
20				1	1, 19
21				1	1, 19
22				1	1, 19

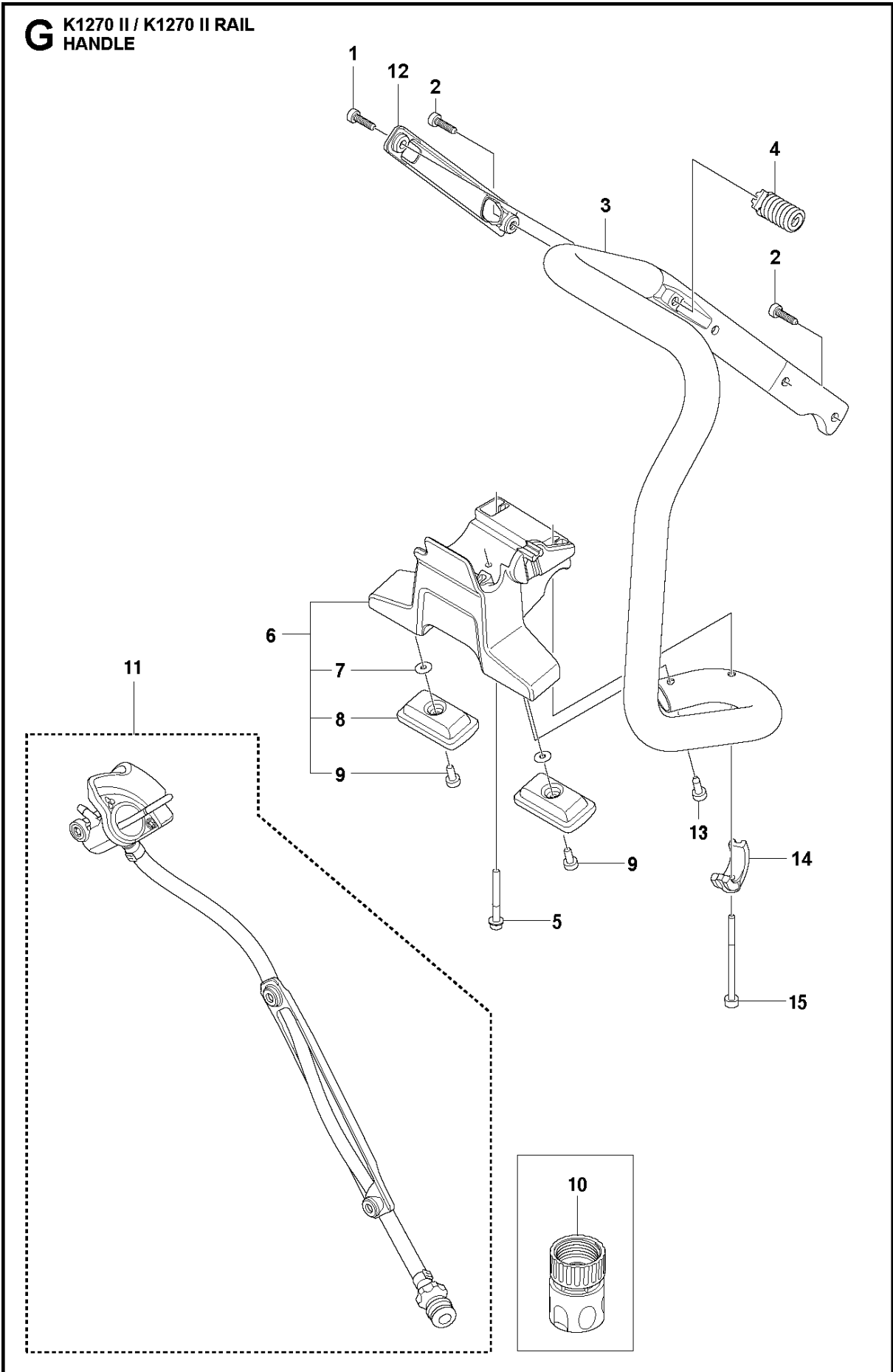
E K1270 II / K1270 II RAIL
CYLINDER, PISTON & MUFFLER



CYLINDER, PISTON & MUFFLER

K1270 II / K1270 II RAIL, 2019-12

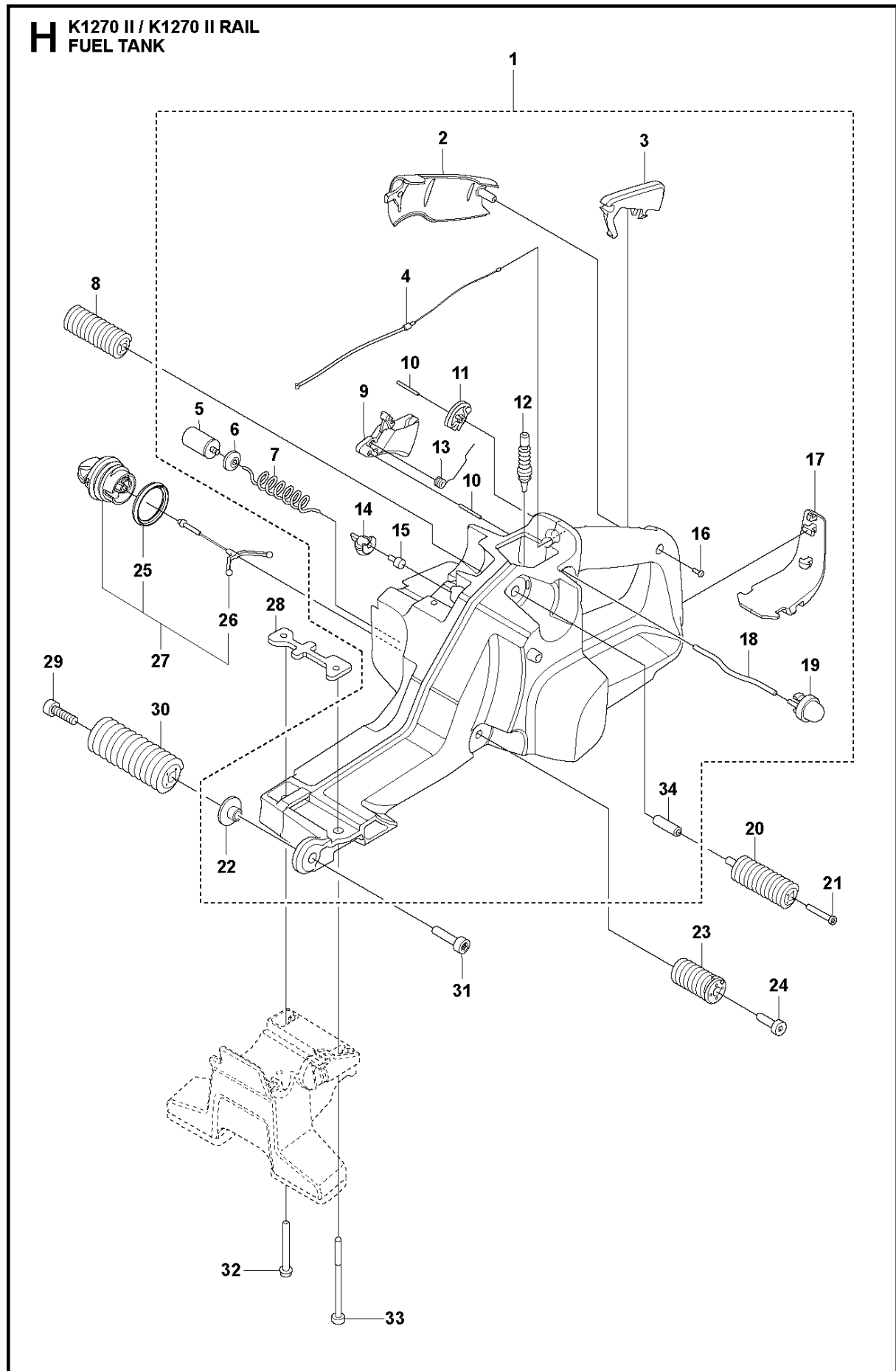
Ref	Part No	Description	Remark	QTY	KIT
1	60272	584 91 22-04	DECOMPRESSION VALVE	1	
2	60228	516 00 24-01	SCREW UNC	4	5
3	60153	503 23 00-05	WASHER	4	5
4	60158	503 23 51-11	SPARK PLUG	1	
5	60269	582 58 23-03	CYLINDER ASSY	1	
6				1	5, 19
7				1	5
8				1	5
9				2	5, 7
10				2	5, 7
11	60278	587 53 63-01	HEAT DEFLECTOR	1	
12	60274	585 28 09-01	GASKET	1	19
13	60170	505 41 79-05	MUFFLER ASSY	1	
14				2	19
15	60263	579 85 11-01	GASKET	1	19
16	60249	544 21 84-07	SCREW ITXSCM	2	
17	60140	503 21 53-12	SCREW ITXSCM	2	
18	60114	502 85 08-01	SUPPORT	1	
19	60268	582 45 48-01	GASKET KIT	1	
20	60250	544 21 84-20	SCREW ITXSCM	1	
21				1	19



HANDLE

K1270 II / K1270 II RAIL, 2019-12

Ref	Part No	Description	Remark	QTY	KIT
1	60247	544 06 12-01	SCREW ITXSCM	1	
2	60149	503 21 54-20	SCREW ITXSCT	2	
3	60229	596 77 93-01	HANDLE	1	
4	60276	585 90 56-01	ANTIVIBRATION ELEMENT	1	
5	60235	525 75 52-04	SCREW ITXSFCM	2	
6	60282	525 82 04-02	GROUND SUPPORT	1	
7	60303	734 11 47-41	WASHER	2	6
8	60252	544 81 16-01	BASE	2	6
9				3	6
10				1	
10			USA, CANADA	1	
11				1	
12				1	
13				3	
14	60262	579 83 27-01	HANDLE BRACKET	1	
15	60148	503 21 53-75	SCREW	1	

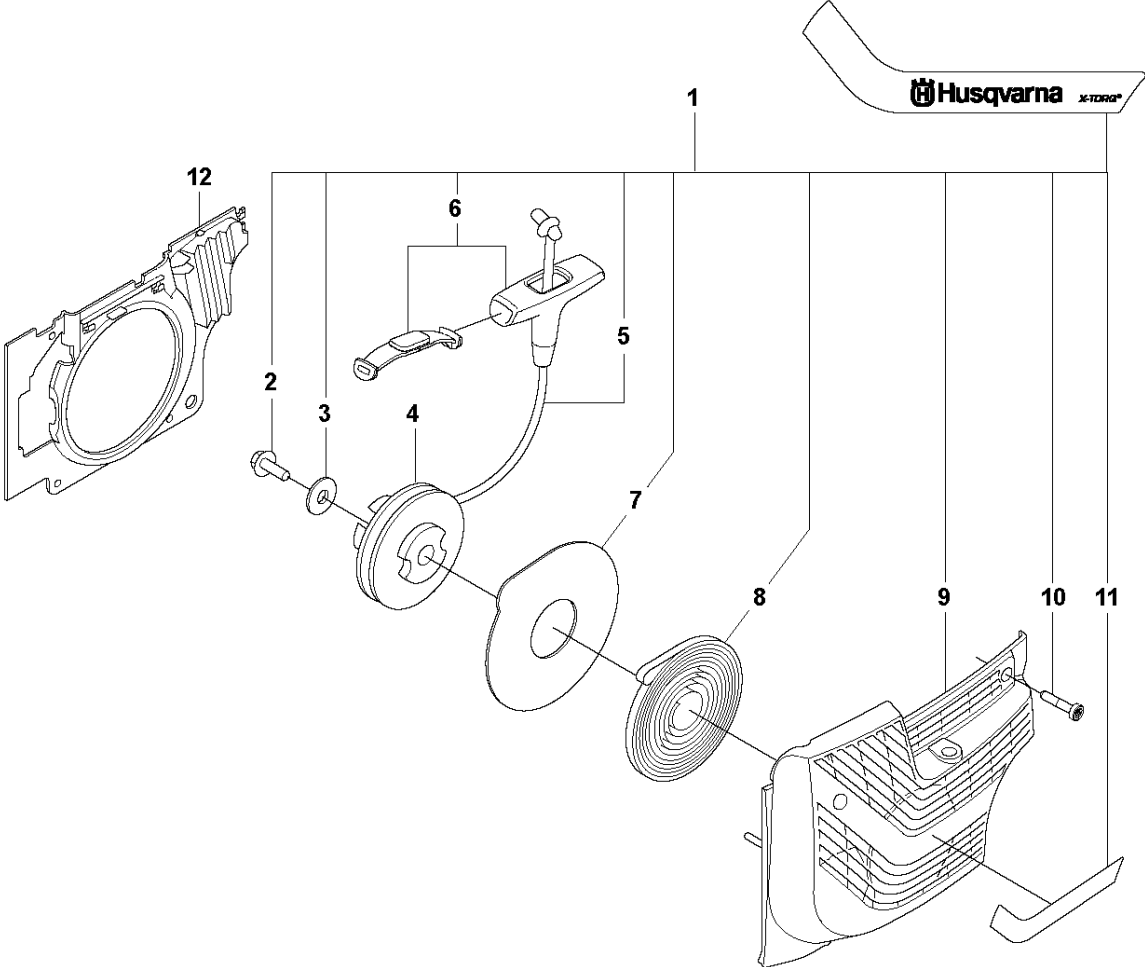


FUEL TANK

K1270 II / K1270 II RAIL, 2019-12

Ref	Part No	Description	Remark	QTY	KIT
1	60300	598 80 64-01	FUEL TANK	1	
2	60241	537 20 56-01	COVER	1	1
3	60227	510 25 52-01	THROTTLE LOCKOUT	1	1
4	60298	596 92 77-01	THROTTLE CABLE ASSY	1	1
5	60185	506 26 41-01	FUEL FILTER	1	1
6	60192	506 27 11-01	HOSE CLAMP	1	1
7	60161	581 75 62-03	FUEL HOSE	1	1
8	60120	585 22 63-01	ANTIVIBRATION ELEMENT	1	
9	60113	502 47 18-01	THROTTLE CONTROL	1	1
10	60301	720 12 40-20	PARALLEL PIN	2	1
11	60242	537 20 85-01	LEVER	1	1
12	60256	576 13 99-01	FUEL HOSE	1	1
13	60243	537 20 98-01	SPRING	1	1
14	60261	577 31 35-01	TANK VENT VALVE ASSY	1	1
15	60100	501 15 29-01	TANK VENT ASSY	1	1
16	60239	525 88 74-02	SCREW CITXPANT	1	1
17	60282	588 19 82-01	GROUND SUPPORT	1	1
18	60240	537 04 24-19	FUEL HOSE	1	1
19	60246	540 05 49-01	AIR CLEANER	1	1
20	60273	585 22 64-01	ANTIVIBRATION ELEMENT	1	
21	60250	544 21 84-20	SCREW ITXSCM	2	
22	60125	503 14 08-01	BUSHING	1	1
23	60244	537 21 03-05	ANTIVIBRATION ELEMENT	1	
24	60247	544 06 12-01	SCREW ITXSCM	2	
25	60294	589 24 11-01	GASKET	1	27
26				1	27
27	60230	522 62 00-03	TANK CAP ASSY	1	
28	60267	582 39 57-01	ATTACHMENT PLATE	1	
29	60141	503 21 53-20	SCREW ITXSCM	1	
30	60121	503 13 27-02	ANTIVIBRATION ELEMENT	1	
31	60143	503 21 53-25	SCREW ITXSCM	2	
32	60235	525 75 52-04	SCREW ITXSCFM	1	
33	60148	503 21 53-75	SCREW	1	
34	60123	503 13 49-01	SPACING TUBE	1	1

J K1270 II / K1270 II RAIL
STARTER

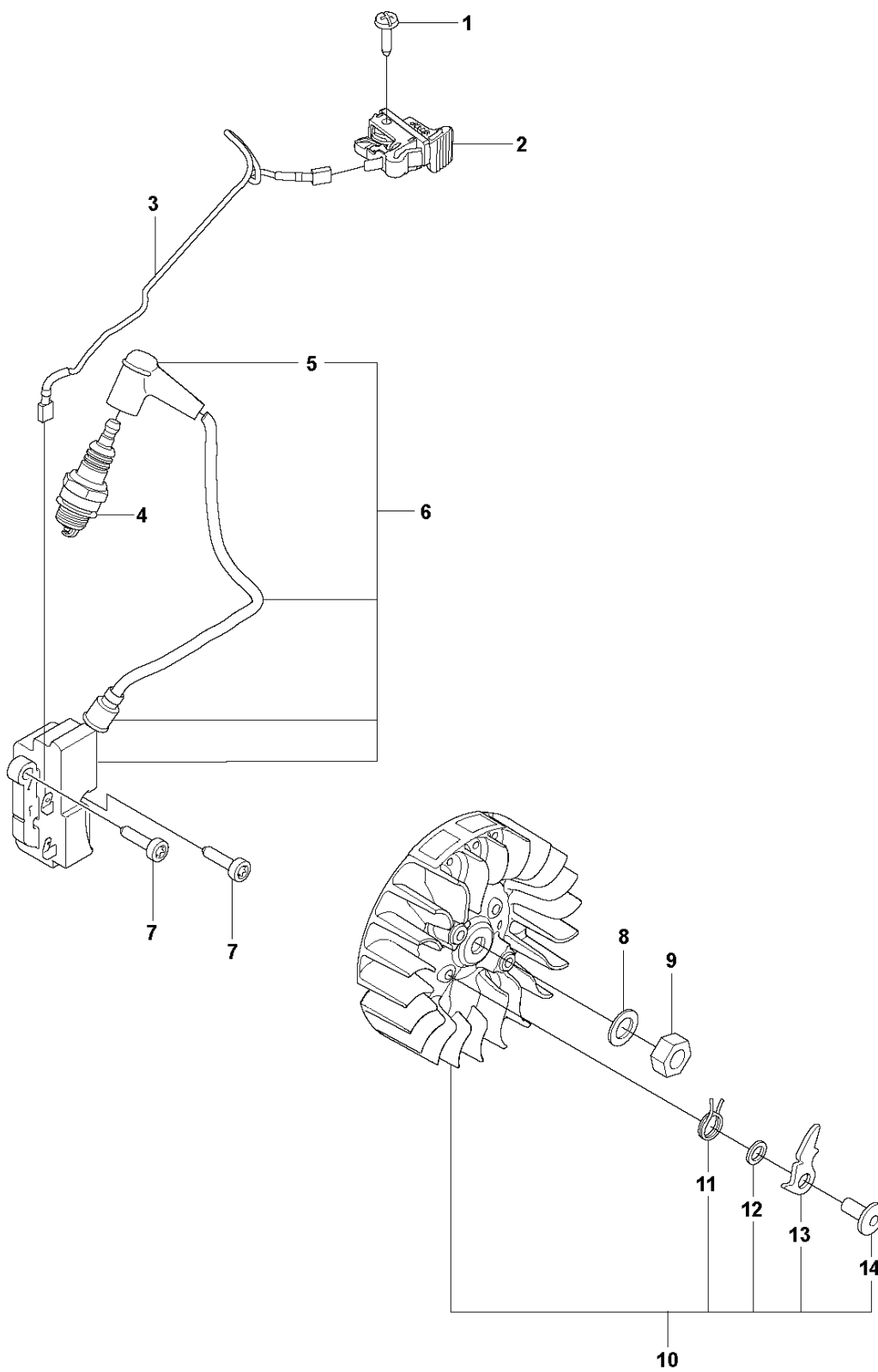


STARTER

K1270 II / K1270 II RAIL, 2019-12

Ref	Part No	Description	Remark	QTY	KIT
1	60198	506 27 55-10	STARTER	1	1
2	60138	503 21 49-72	SCREW IHSCFT	1	1
3	60156	503 23 43-02	WASHER	1	1
4	60111	501 89 67-04	STARTER PULLEY	1	1
5	60213	506 33 56-25	STARTER CORD	1	1
5			50meter	1	1
6	60115	584 25 79-02	STARTER HANDLE ASSY	1	1
7	60163	503 74 36-01	DISC	1	1
8	60124	503 13 50-01	RECOIL SPRING	1	1
9	60183	506 25 58-03	STARTER COVER	1	1
10	60112	501 98 10-05	SCREW ITXSCM	4	1
11				1	1
12				1	1
12	60109	501 89 59-03	AIR CONDUCTOR	Rail stop switch only	1

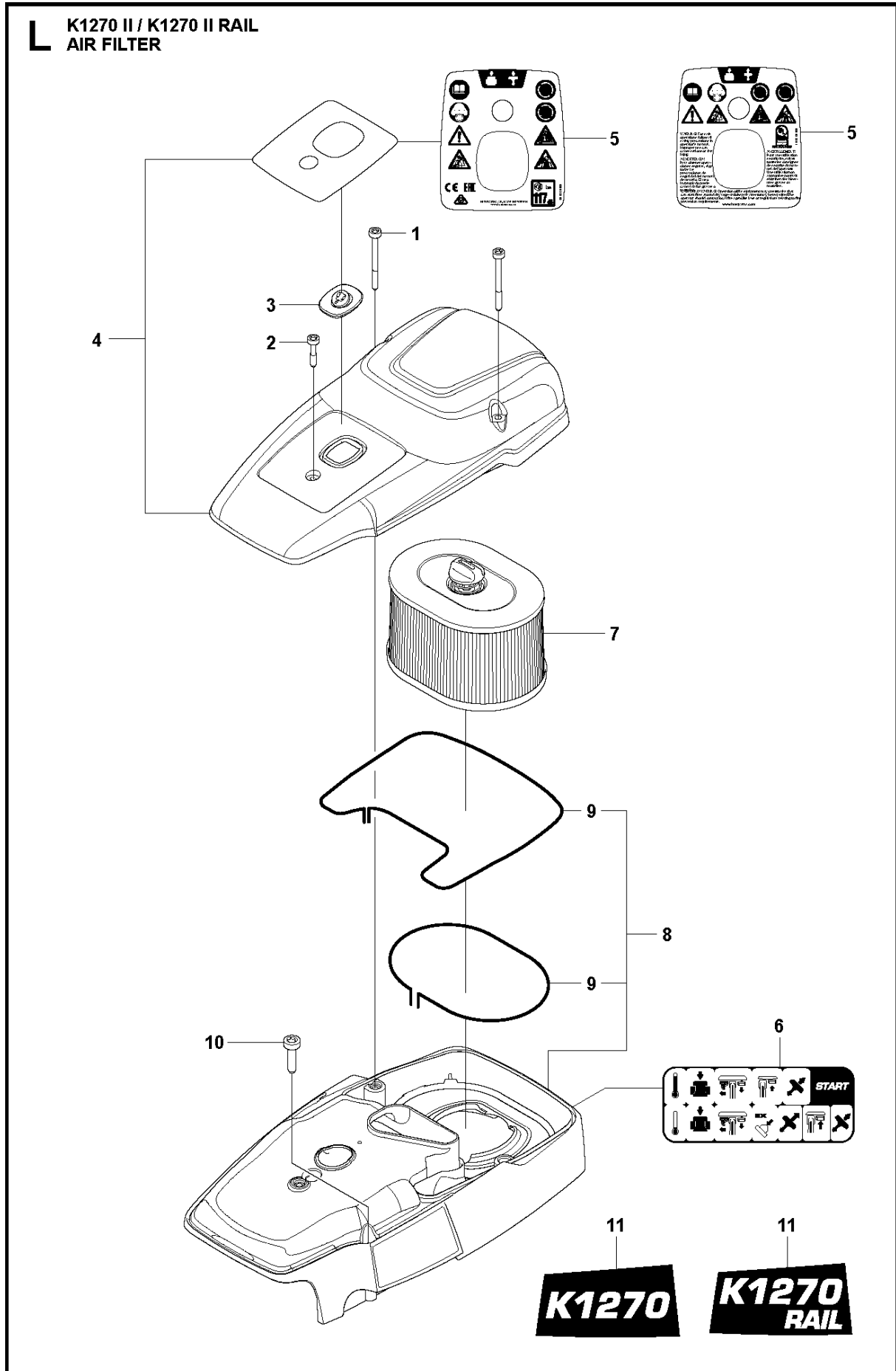
K K1270 II / K1270 II RAIL
IGNITION SYSTEM



IGNITION SYSTEM

K1270 II / K1270 II RAIL, 2019-12

Ref	Part No	Description	Remark	QTY	KIT
1	60239	525 88 74-03	SCREW CITXPANT	1	
2	60210	506 31 86-04	STOP SWITCH	1	
3	60108	501 83 98-03	CABLE	1	
4	60158	503 23 51-11	SPARK PLUG	1	
5	60297	590 50 45-01	SPARK PLUG CAP	1	6
6	60264	580 38 05-07	IGNITION MODULE	1	
7	60141	525 82 49-13	SCREW ITXSCM	2	
8	60304	735 11 73-50	SPRING WASHER	1	
9	60152	503 22 10-11	HEXAGON NUT	1	
10	60277	587 24 88-01	FLYWHEEL ASSY	1	
11	60103	501 63 48-01	SPRING	2	10
12	60154	503 23 00-42	WASHER	2	10
13	60104	501 67 32-03	PAWL	2	10
14	60107	501 81 99-01	SCREW	2	10

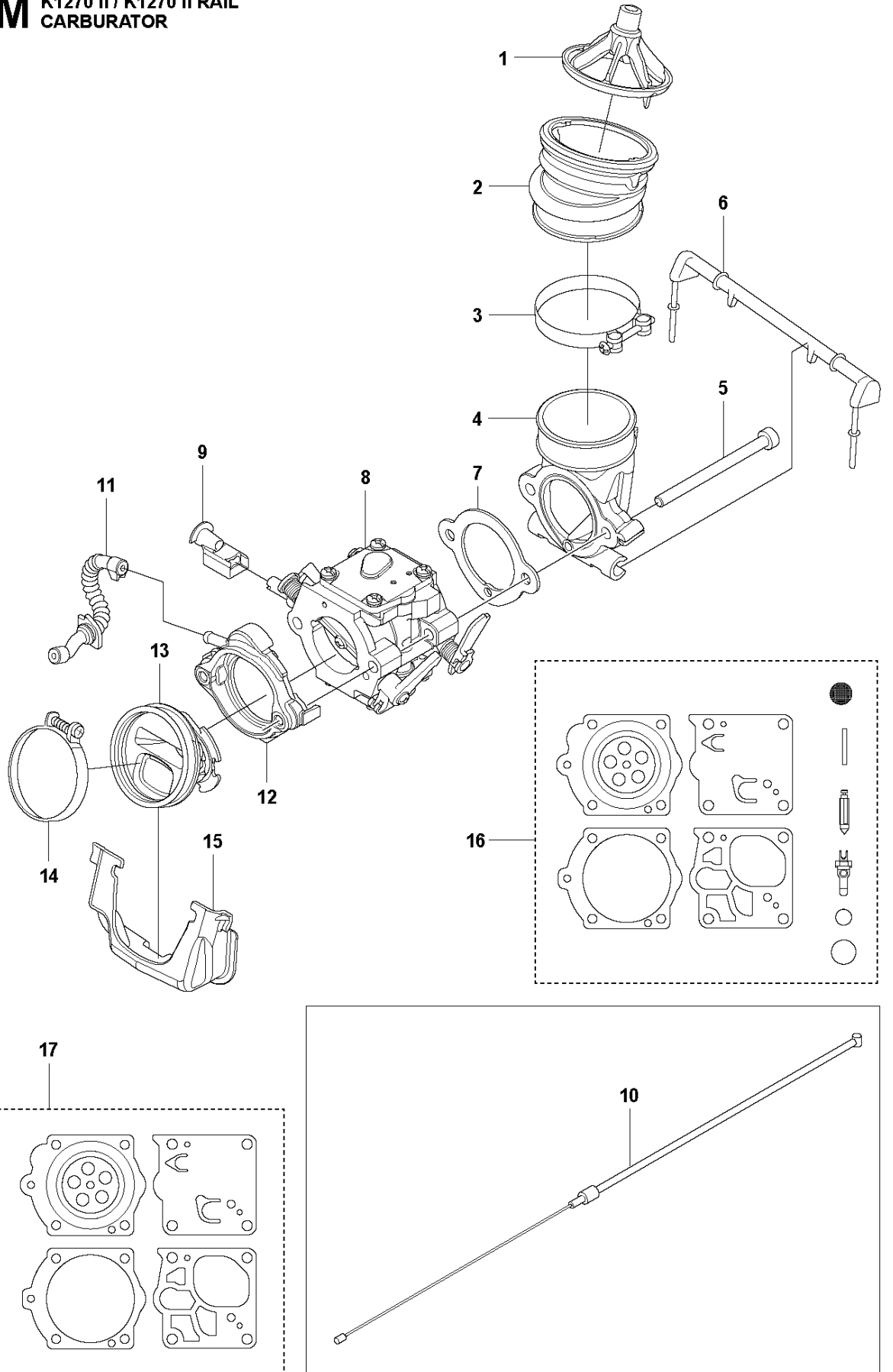


AIR FILTER

K1270 II / K1270 II RAIL, 2019-12

Ref	Part No	Description	Remark	QTY	KIT
1	60146	503 21 53-56	SCREW ITXSCM	2	
2	60140	503 21 53-12	SCREW ITXSCM	1	
3	60275	585 42 83-01	PLUG	1	
4	60292	590 35 78-01	FILTER COVER ASSY	1	
5			CE	1	4
5			USA, CANADA, MEXICO	1	4
6				1	
7	60226	510 24 41-05	AIR FILTER	1	
7			Rail	1	
7			Standard	1	
8	60259	576 55 32-03	CYLINDER COVER	1	
9	60234	525 61 70-04	SEALING	2	8
10	60145	503 21 53-30	SCREW ITXSCM	5	
11			K1270	1	
11	60236	525 81 69-04	LABEL	1	
			K1270 Rail	1	

M K1270 II / K1270 II RAIL
CARBURATOR



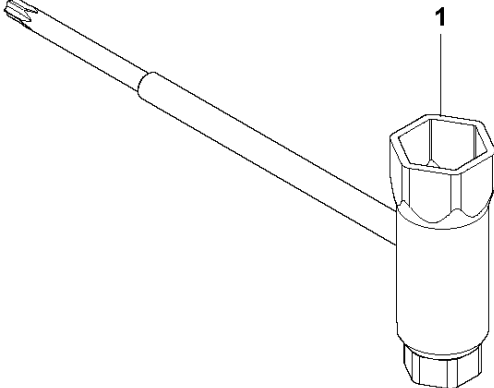
CARBURATOR

K1270 II / K1270 II RAIL, 2019-12

Ref	Part No	Description	Remark	QTY KIT
1	60225	510 24 39-01	FILTER	1
2	60224	510 24 38-02	BELLOWS	1
3	60167	505 28 33-11	HOSE CLAMP	1
4	60286	588 75 07-01	INLET BEND	1
5	60147	503 21 53-65	SCREW ITXSCM	2
6	60180	506 25 04-01	SUPPORT	1
7	60263	579 85 11-01	GASKET	1
8	60299	597 85 70-01	CARBURETTOR	1
9	60288	588 89 20-01	GUIDE SLEEVE	1
10	60298	596 92 77-01	THROTTLE CABLE ASSY	1
11	60266	582 12 57-01	IMPULSE HOSE	1
12	60281	587 53 69-01	FLANGE	1
13	60280	587 53 68-01	INLET PIPE	1
14	60169	505 28 33-16	HOSE CLAMP	1
15	60283	588 63 04-01	INSULATION WALL	1
16				1
17				1

N K1270 II / K1270 II RAIL

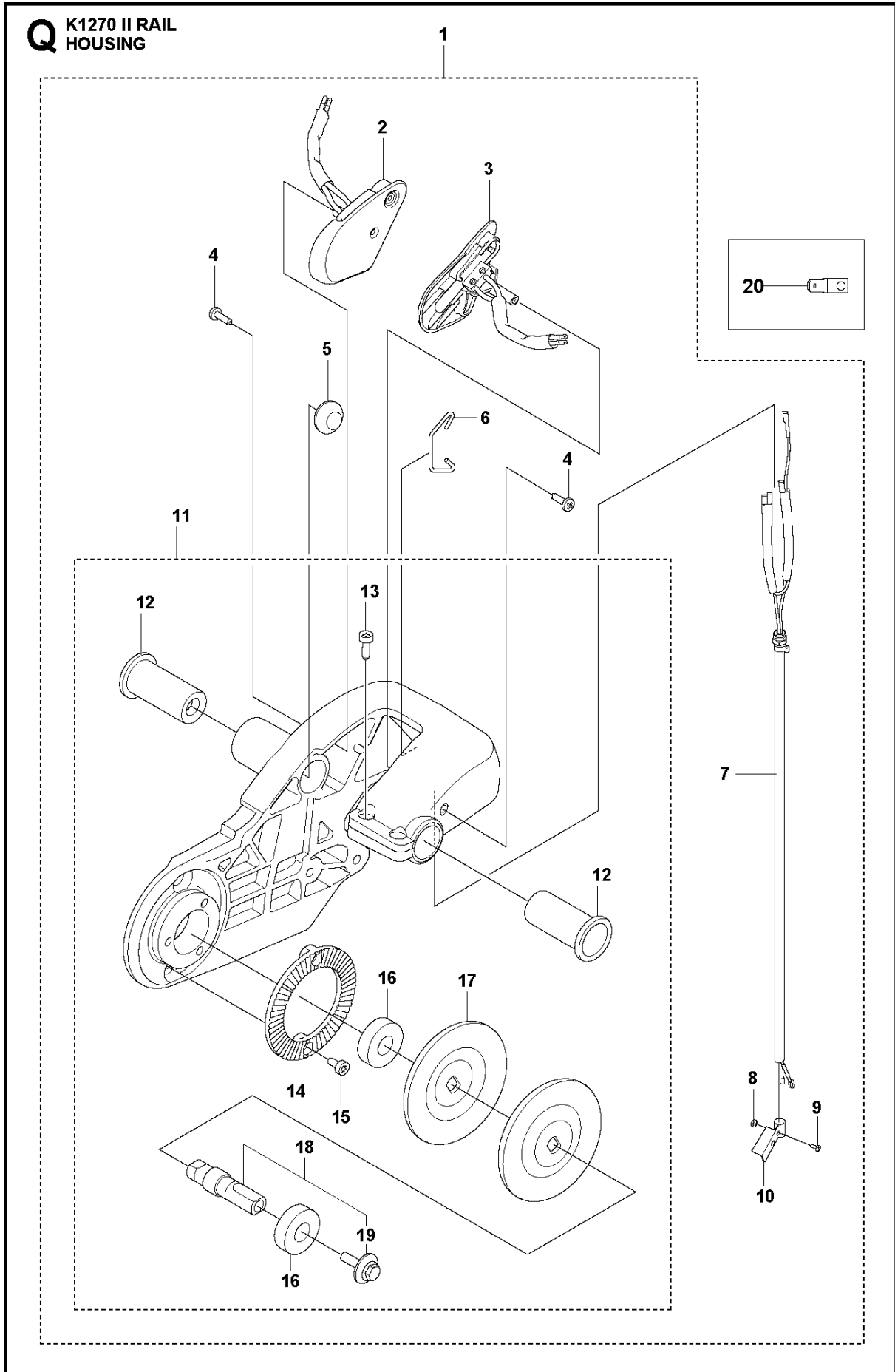
TOOLS



TOOLS

K1270 II / K1270 II RAIL, 2019-12

Ref	Part No	Description	Remark	QTY KIT
1	60219	506 38 26-01 TOOL		1

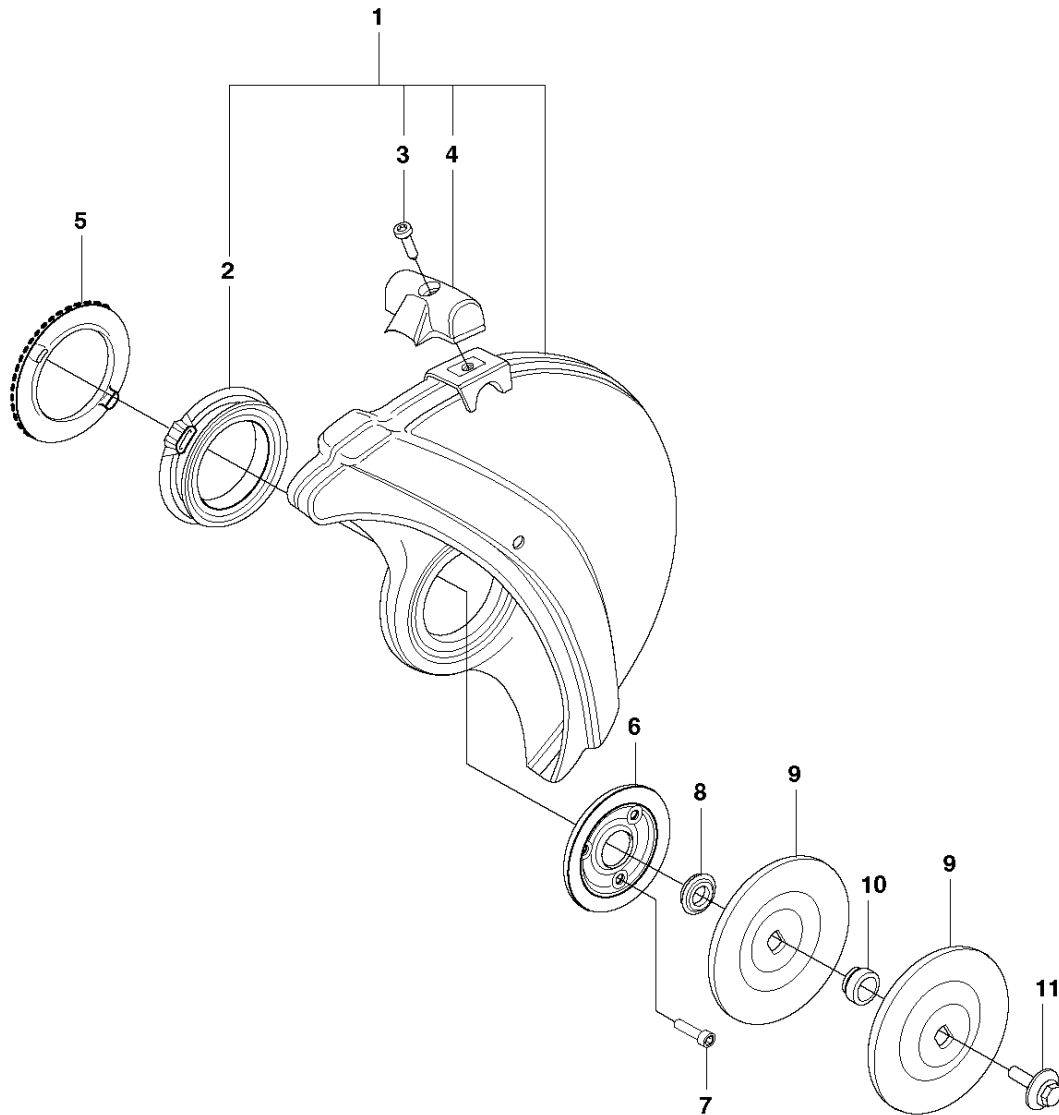


HOUSING

K1270 II / K1270 II RAIL, 2019-12

Ref	Part No	Description	Remark	QTY	KIT
1			14" Rail Stop Switch	1	
2				1	1
3				1	1
4				2	1
5				1	1
6				1	1
7				1	1
8				1	1
9				1	1
10				1	1
11			14" Rail	1	1
11			16" Rail	1	1
11	60260	576 66 57-08 BEARING HOUSING ASSY	16" Rail USA	1	1
12	60176	506 22 75-01 SLEEVE		2	1, 11
13	60133	503 20 02-16 SCREW IHSCFM		2	1, 11
14	60202	506 28 84-01 SCREEN		1	1, 11
15	60139	503 21 53-10 SCREW ITXSCM		2	1, 11
16	60271	583 95 33-01 BALL BEARING		2	1, 11
17	60174	506 07 09-02 FLANGE WASHER		1	1, 11
18	60290	588 99 24-03 SHAFT		1	1, 11
19	60296	590 50 38-01 SCREW		1	1, 11, 18
20				1	

S K1270 II RAIL
BLADE GUARD



12

5100 rpm

Husqvarna
Made in Sweden

BLADE GUARD

K1270 II / K1270 II RAIL, 2019-12

Ref	Part No	Description	Remark	QTY	KIT
1	60214	506 34 05-54	BLADE GUARD	14" Rail	1
1	60215	506 34 05-56	BLADE GUARD	16" Rail	1 1
2	60187	506 26 63-02	LINING		1 1
3	60141	503 21 53-20	SCREW ITXSCM		1 1
4	60217	506 34 46-02	HANDLE		1
5	60188	506 26 64-01	SCREEN		1
6	60189	506 26 65-01	FLANGE		1
7	60172	505 57 41-16	SCREW ITXSCM		3
8	60212	506 32 48-01	SUPPORT FLANGE		1
9			Diam 105mm		1
9	60174	506 07 09-02	FLANGE WASHER	Diam 119mm	2
10			Diam 20mm		1
10			Diam 22,2mm		1
10	60218	506 37 96-25	KIT	Diam 25,4mm	1
10			Diam 30,5mm		1
11	60284	590 50 38-01	SCREW		1
12			14" Rail Diam 25,4mm		1
12			16" Rail Diam 25,4mm		1
12			14" Diam 25,4mm		1
12			16" Diam 20mm		1
12			16" Diam 25,4mm		1